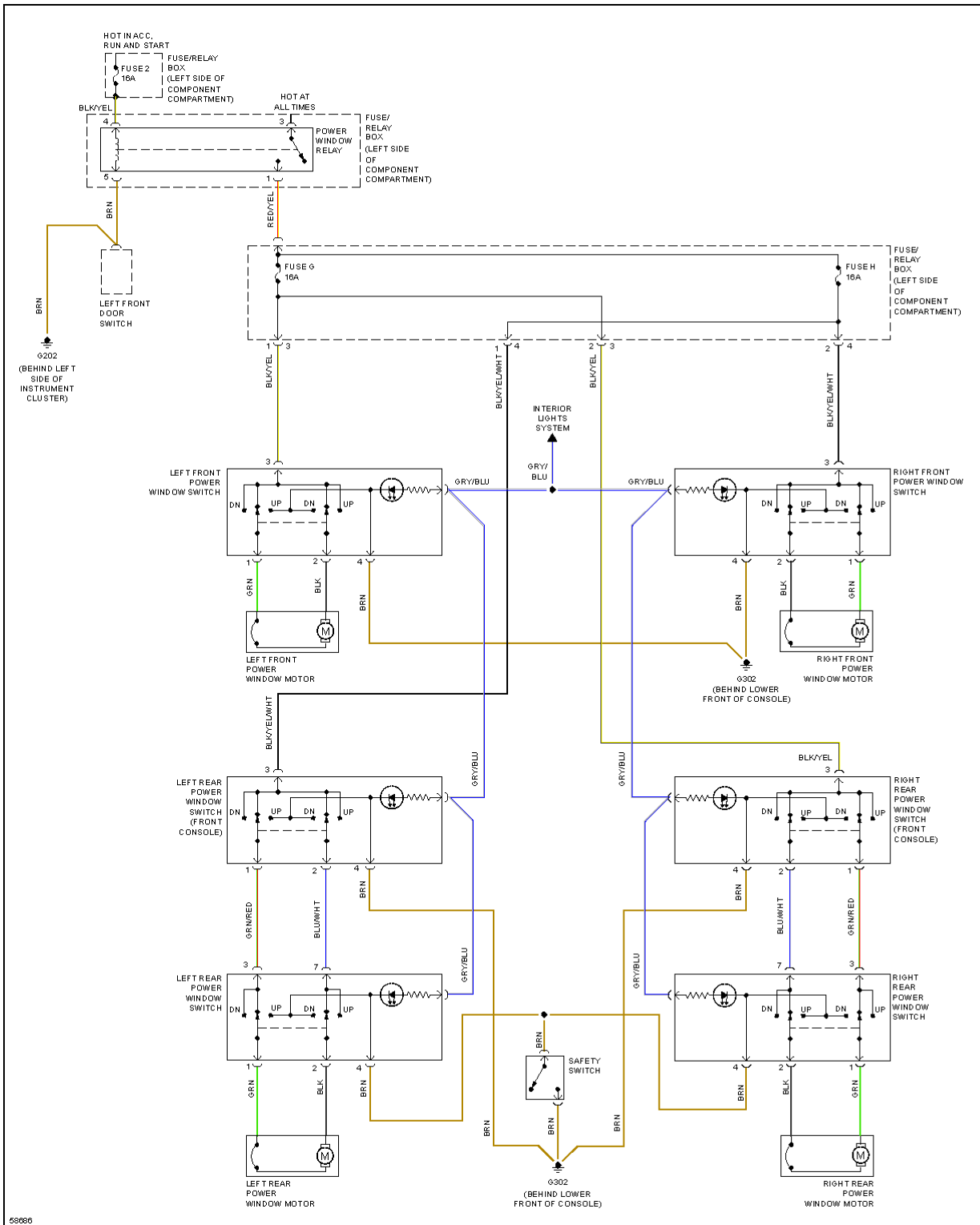


# 1988 Mercedes-Benz 300TE

## SYSTEM WIRING DIAGRAMS Fig. 12: Power Window Circuit



58886